

- | | | | |
|---------------------|-----------------------|----------------------------|---------------------------|
| A

x19 | B

x9 | C

x18 | D

x14 |
| E

x12 | F

x6 | G

4x16mm x44 | H

x7 |
| I

x7 | J

x6 | K

x6 | L

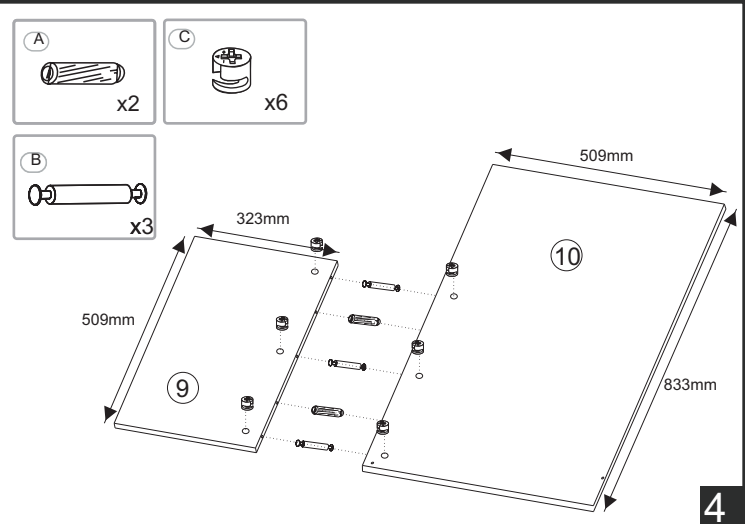
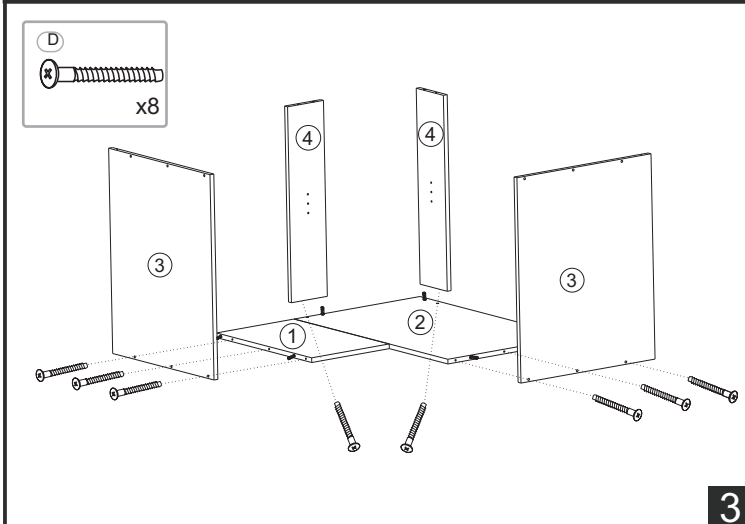
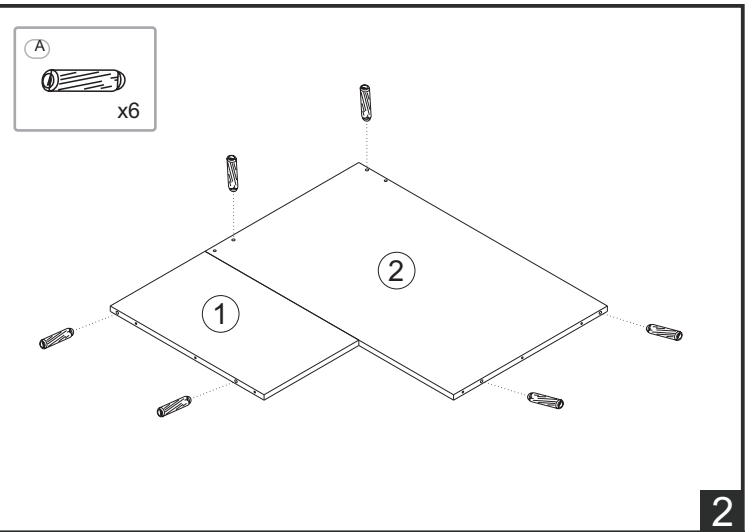
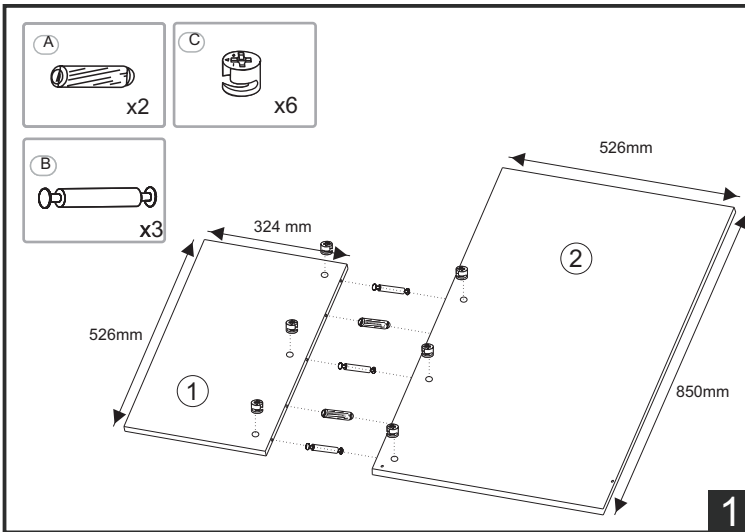
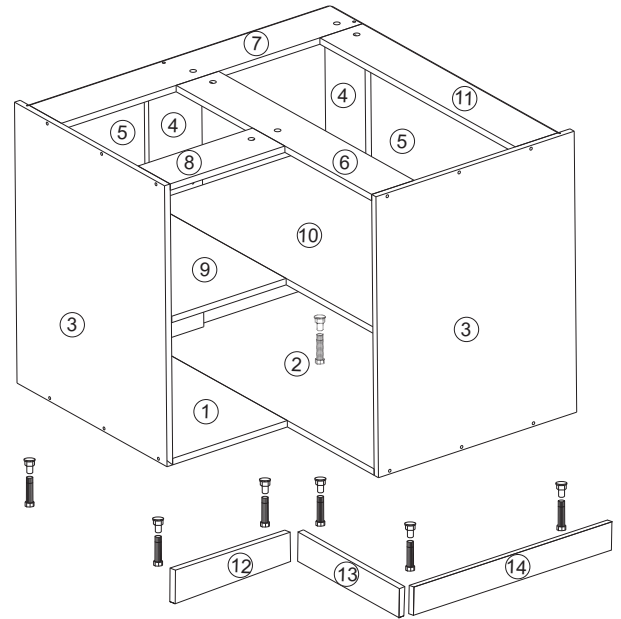
4x40mm x2 |
| M

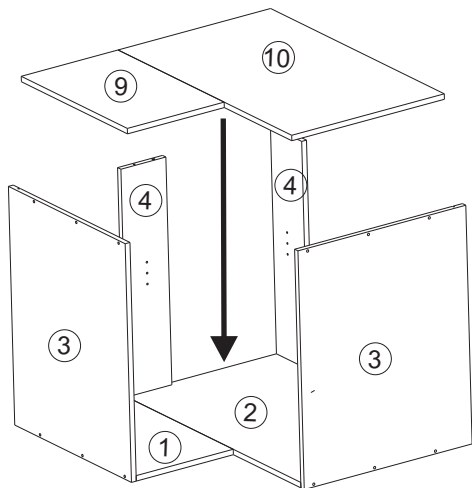
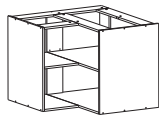
x1 | N

φ8 x2 | O

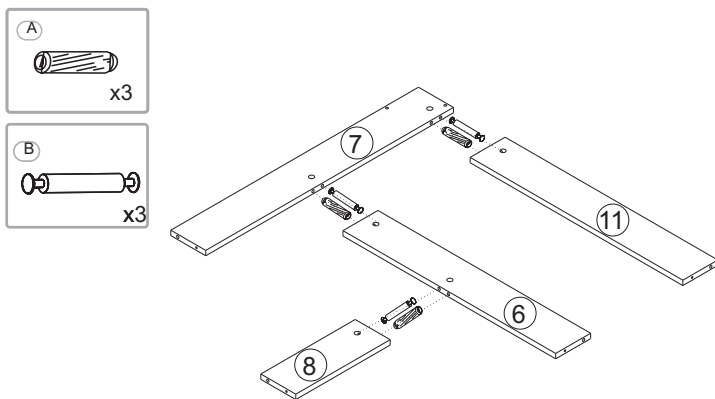
x4 | O

x10 |

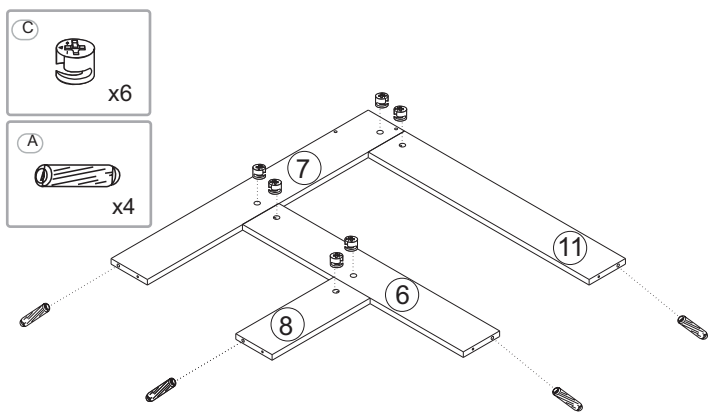




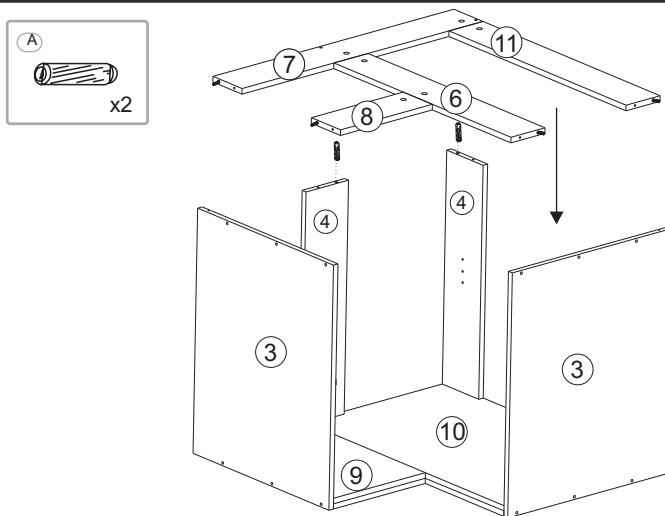
5



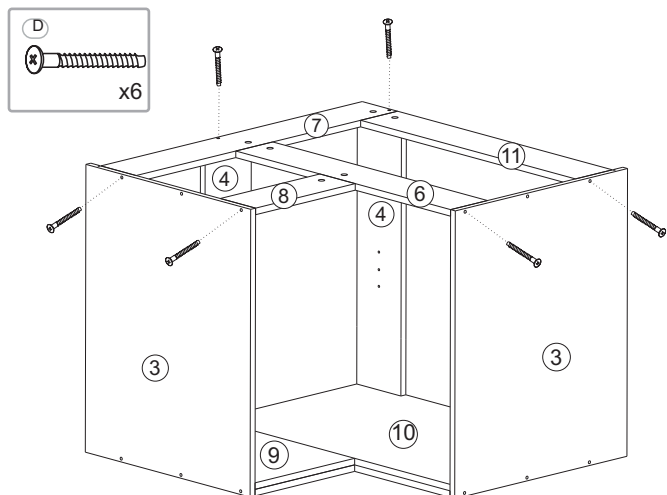
6



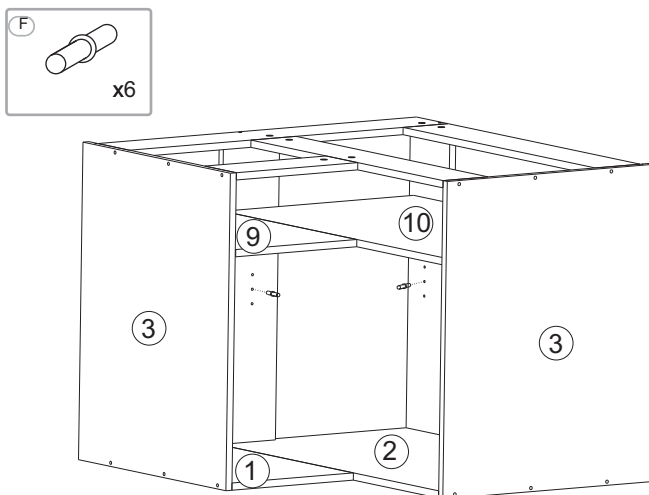
7



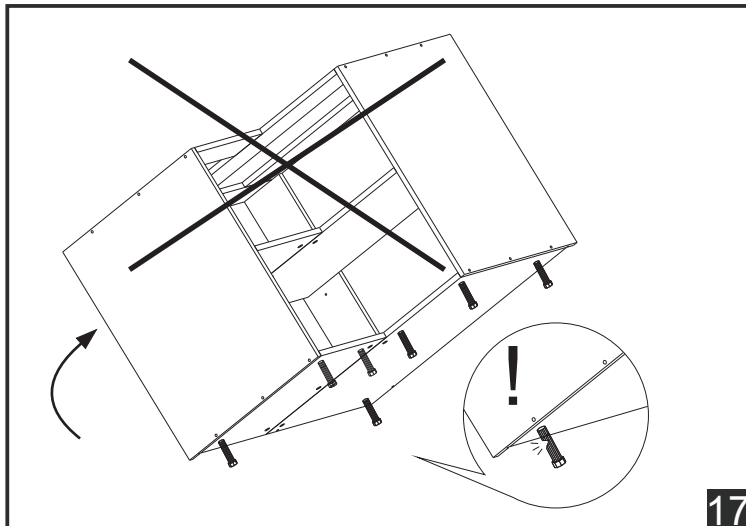
8



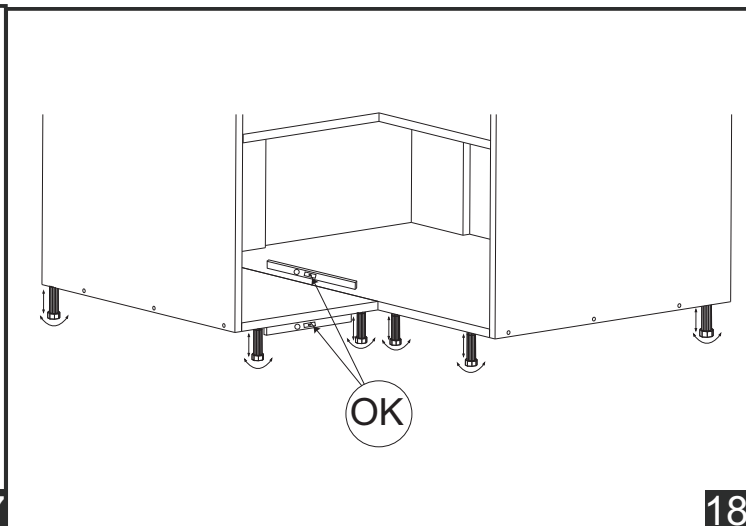
9



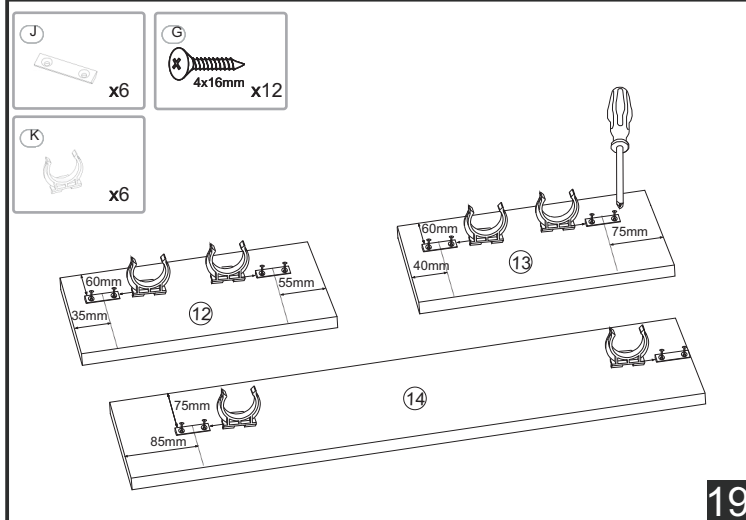
10



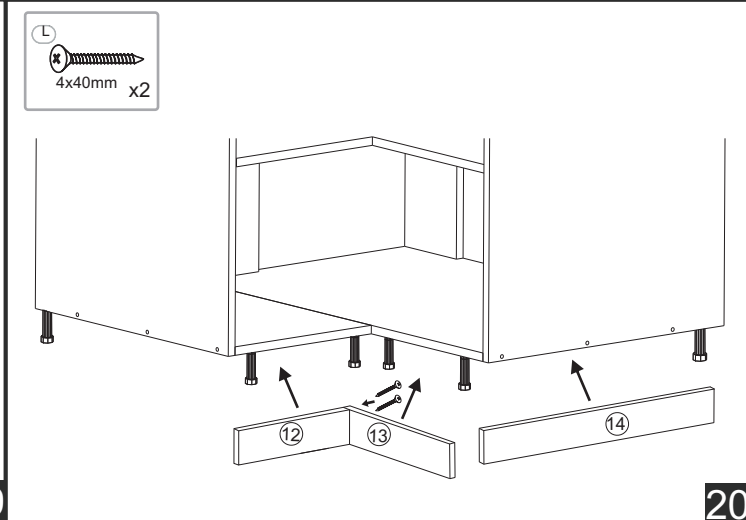
17



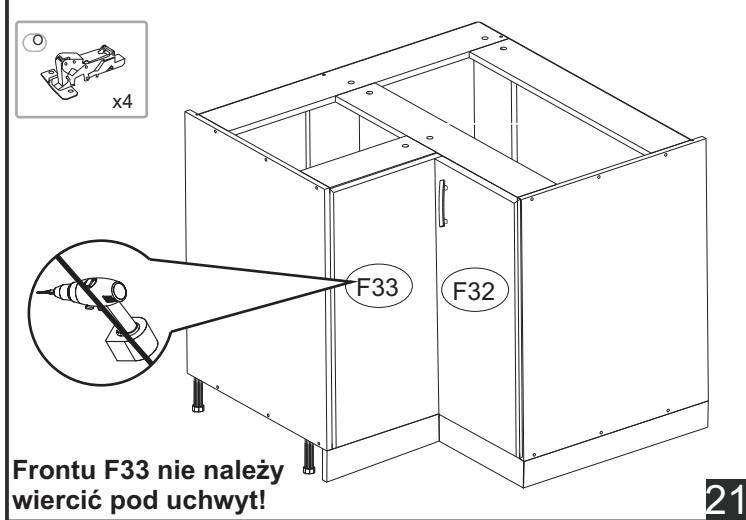
18



19

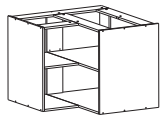


20

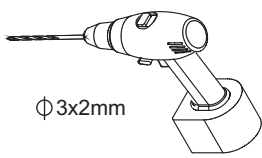
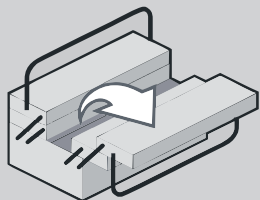
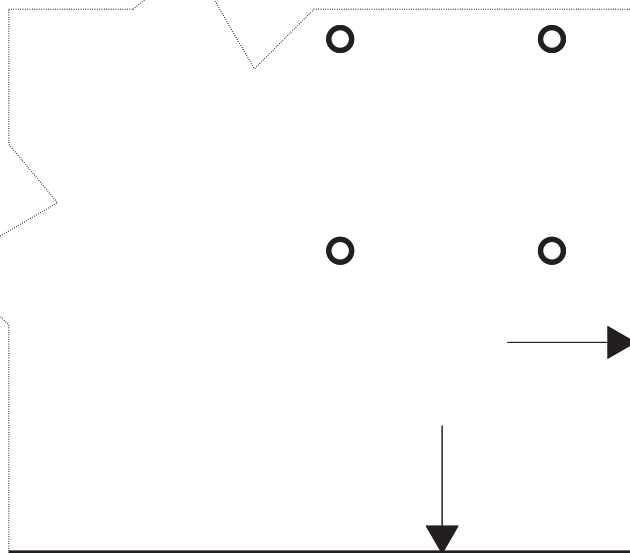
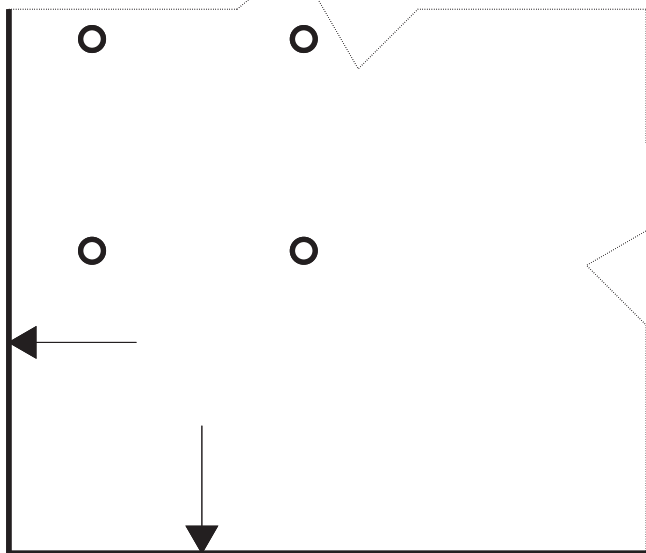
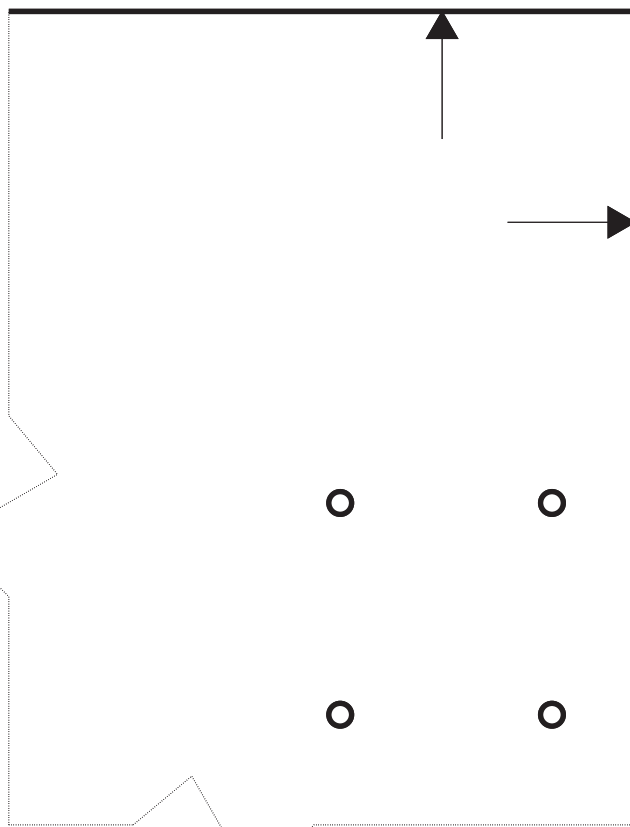
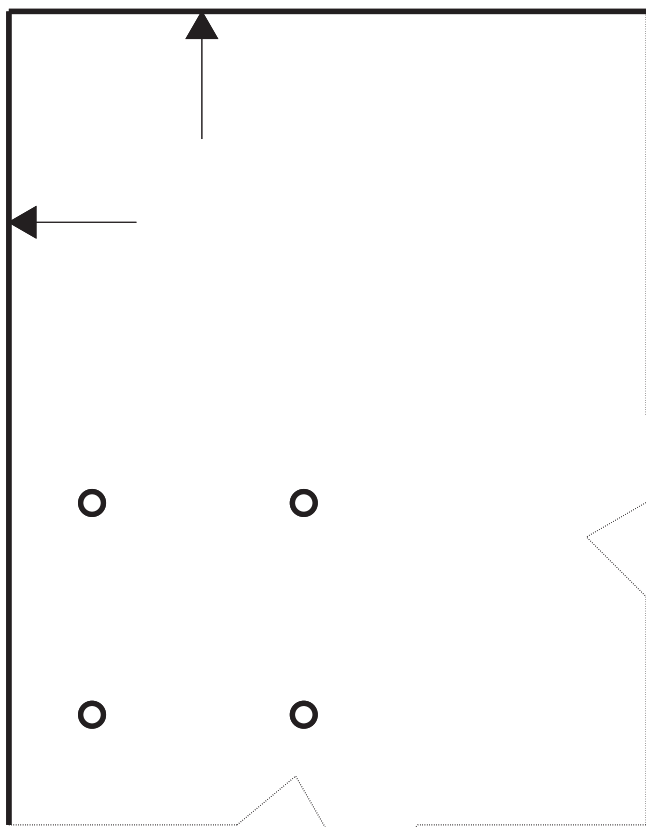


21

Frontu F33 nie należy wiercić pod uchwyt!



F



Φ3x2mm

1:1